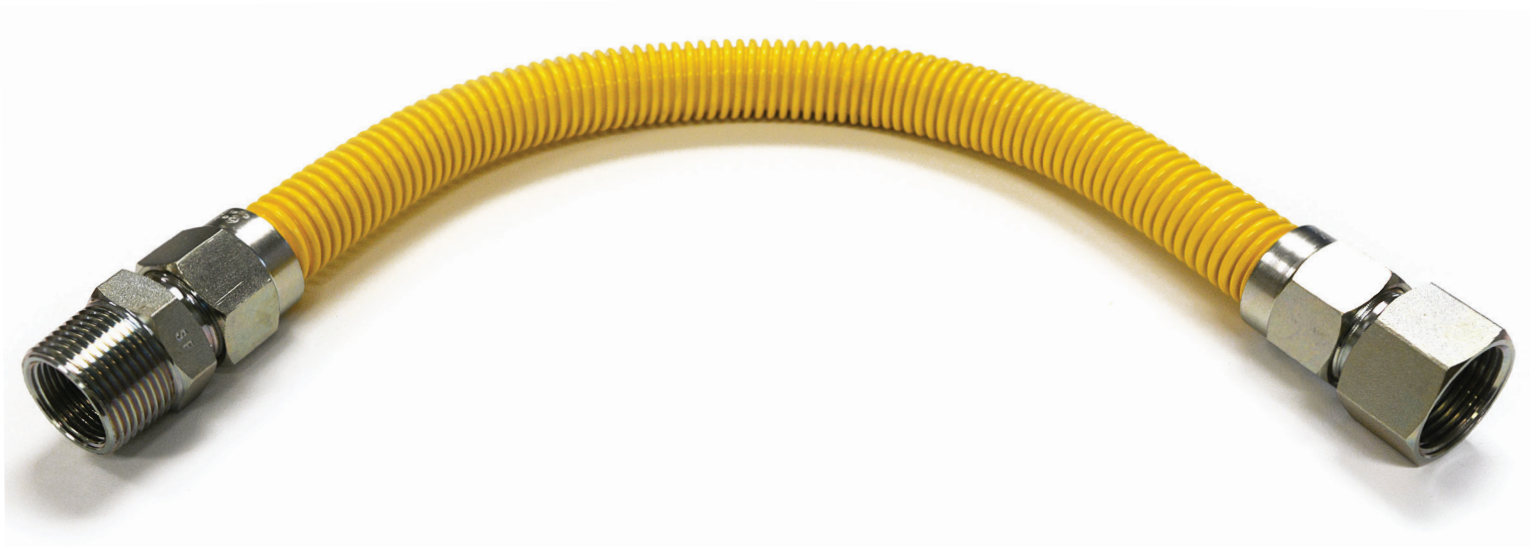


JONES STEPHENS GAS CONNECTORS



NEW! Large 1" OD Sizes Added

DURABILITY

- Stainless steel 304 material
- Yellow coated corrugation extends all the way to the fitting for increased tubing flexibility

HIGH-QUALITY

- Flared end fittings create a metal-to-metal seal in critical applications
- CSA Design certified for indoor and outdoor use

RELIABILITY

- 100% leak tested to ensure safety and quality for a product you can trust
- Corrosion resistant connectors add additional safety in highly corrosive environments or in areas where caustic chemicals are located

Standards/Certifications

- CSA design certified 

1" OD Yellow Coated Connector with Fittings

PART NO.	SIZE	CTN/MSTR
G71401*	3/4" MIP x 3/4" FIP x 18"	1/25
G71402*	3/4" MIP x 3/4" FIP x 24"	1/25
G76001	3/4" MIP x 3/4" MIP x 12"	1/25
G71403*	3/4" MIP x 3/4" MIP x 18"	1/25
G71404*	3/4" MIP x 3/4" MIP x 24"	1/25
G76041	3/4" MIP x 3/4" MIP x 36"	1/25
G76051	3/4" MIP x 3/4" MIP x 48"	1/25
G76002	3/4" FIP x 3/4" MIP x 12"	1/25
G76042	3/4" FIP x 3/4" MIP x 36"	1/25
G76052	3/4" FIP x 3/4" MIP x 48"	1/25
G76062	3/4" FIP x 3/4" MIP x 60"	1/25
G76072	3/4" FIP x 3/4" MIP x 72"	1/25
G76003	3/4" FIP x 3/4" FIP x 12"	1/25
G76013	3/4" FIP x 3/4" FIP x 18"	1/25
G76023	3/4" FIP x 3/4" FIP x 24"	1/25
G76043	3/4" FIP x 3/4" FIP x 36"	1/25
G76053	3/4" FIP x 3/4" FIP x 48"	1/25
G76073	3/4" FIP x 3/4" FIP x 72"	1/25
G76005	1" FIP x 1" MIP x 12"	1/25
G76015	1" FIP x 1" MIP x 18"	1/25
G76025	1" FIP x 1" MIP x 24"	1/25
G76045	1" FIP x 1" MIP x 36"	1/25

* Existing 1" OD SKUs

See reverse side for more details on our extensive product listing!



Phone 800.355.6637 | Fax 800.462.6991 | Web www.jonesstephens.com

JONES STEPHENS GAS CONNECTORS

In addition to our new 1" OD connectors, Jones Stephens offers a complete line of gas connectors ranging from 3/8" OD to 1" OD.

UNCOATED

• 3/8" OD & 5/8" OD with Fittings

12" to 72" lengths available

BLACK COATED

• 3/8" OD & 1/2" OD with Fittings

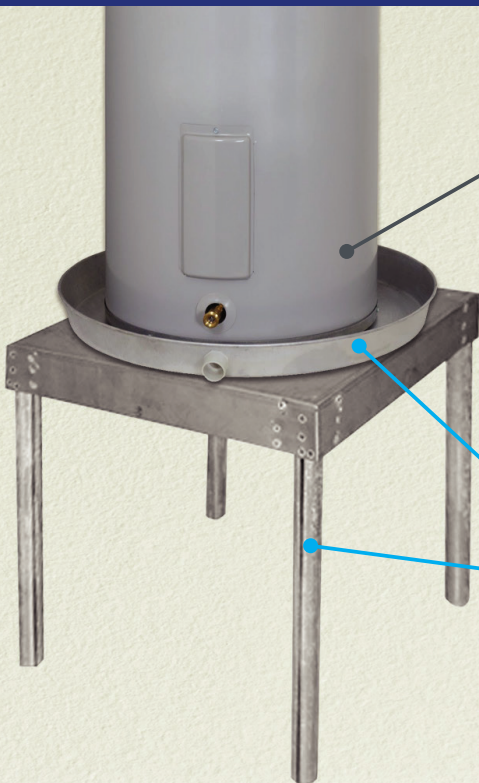
12" to 72" lengths available

YELLOW COATED

• 3/8" OD, 5/8" OD, 1/2" OD & 1" OD with Fittings

12" to 72" lengths available

DON'T FORGET ABOUT OUR CUSTOM KITTING SOLUTIONS!



CUSTOMIZE YOUR KIT!



- water heater connectors
- gas connectors
- ball valves & fittings...



ADD-ON PRODUCT

Finish the job with a Jones Stephens water heater pan and stand.

Perfect for multi-family jobs!

All delivered right where you need it, when you need it.



Contact your local Jones Stephens sales representative to order today!

